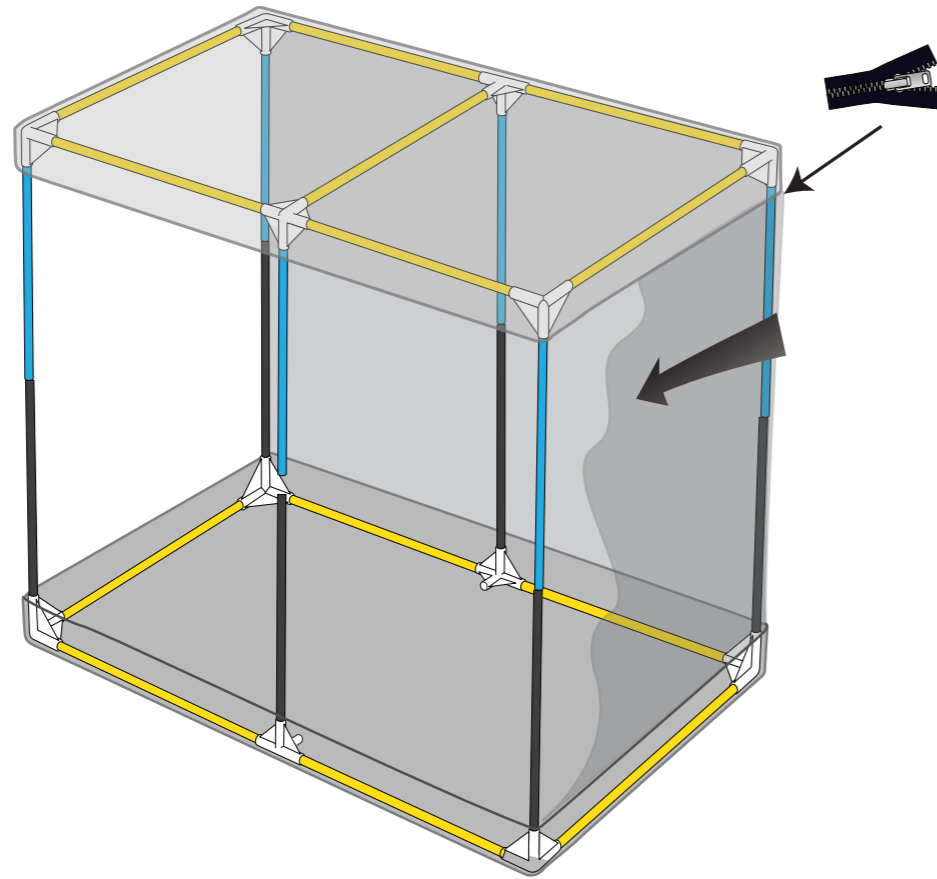


Step 5

Close tent zip starting top right as shown.



Assembly Instructions

Two Person Assembly


mammothtents.nl
Pro+ 240LHC 300LHC

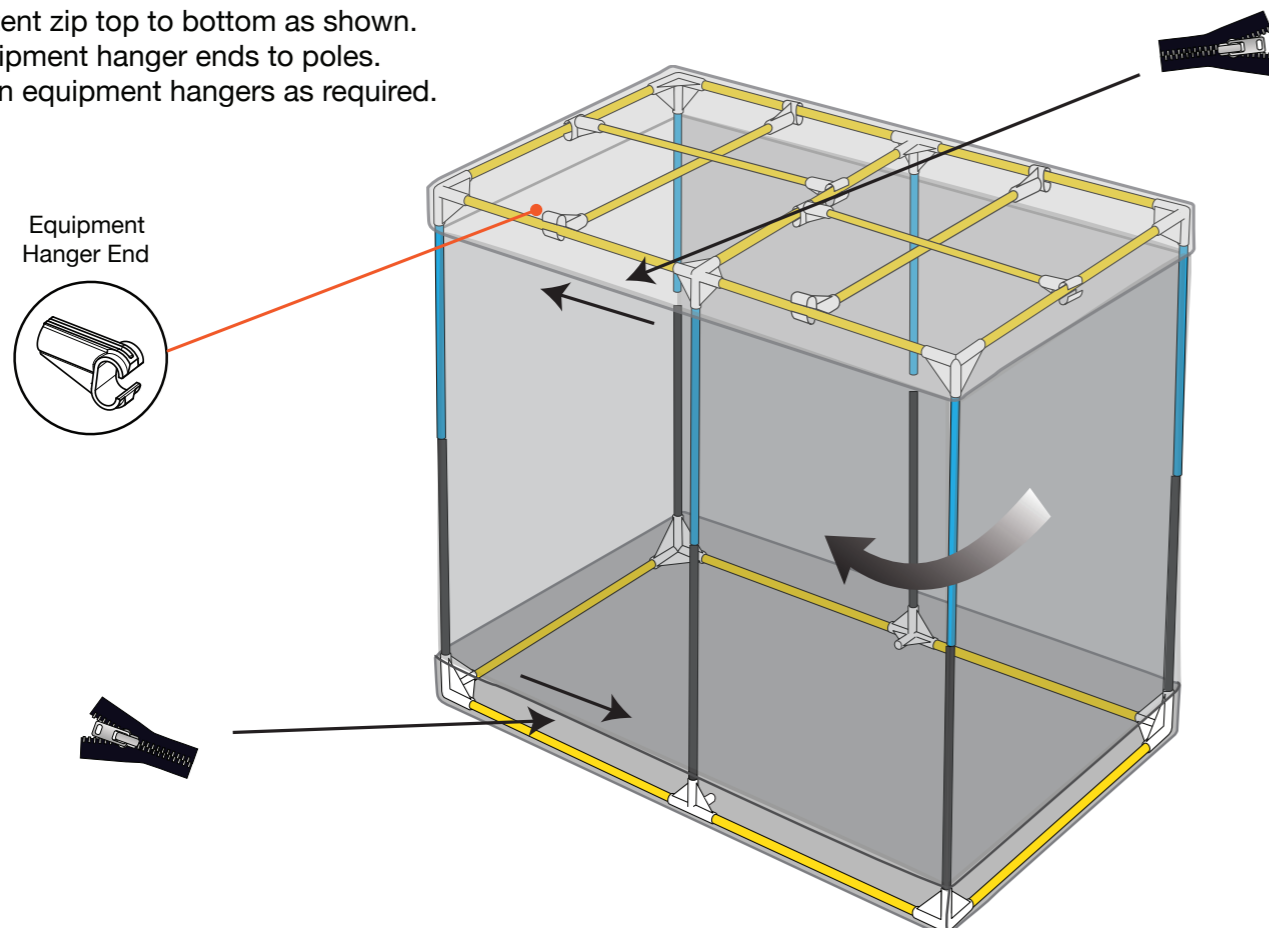
Mammoth Pro+ 240LHC, 300LHC Assembly Guide

Equipment Hangers




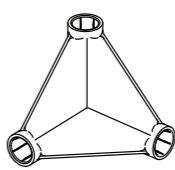
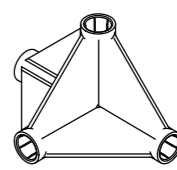
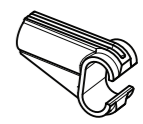


Step 6

Close tent zip top to bottom as shown.
Fit equipment hanger ends to poles.
Position equipment hangers as required.

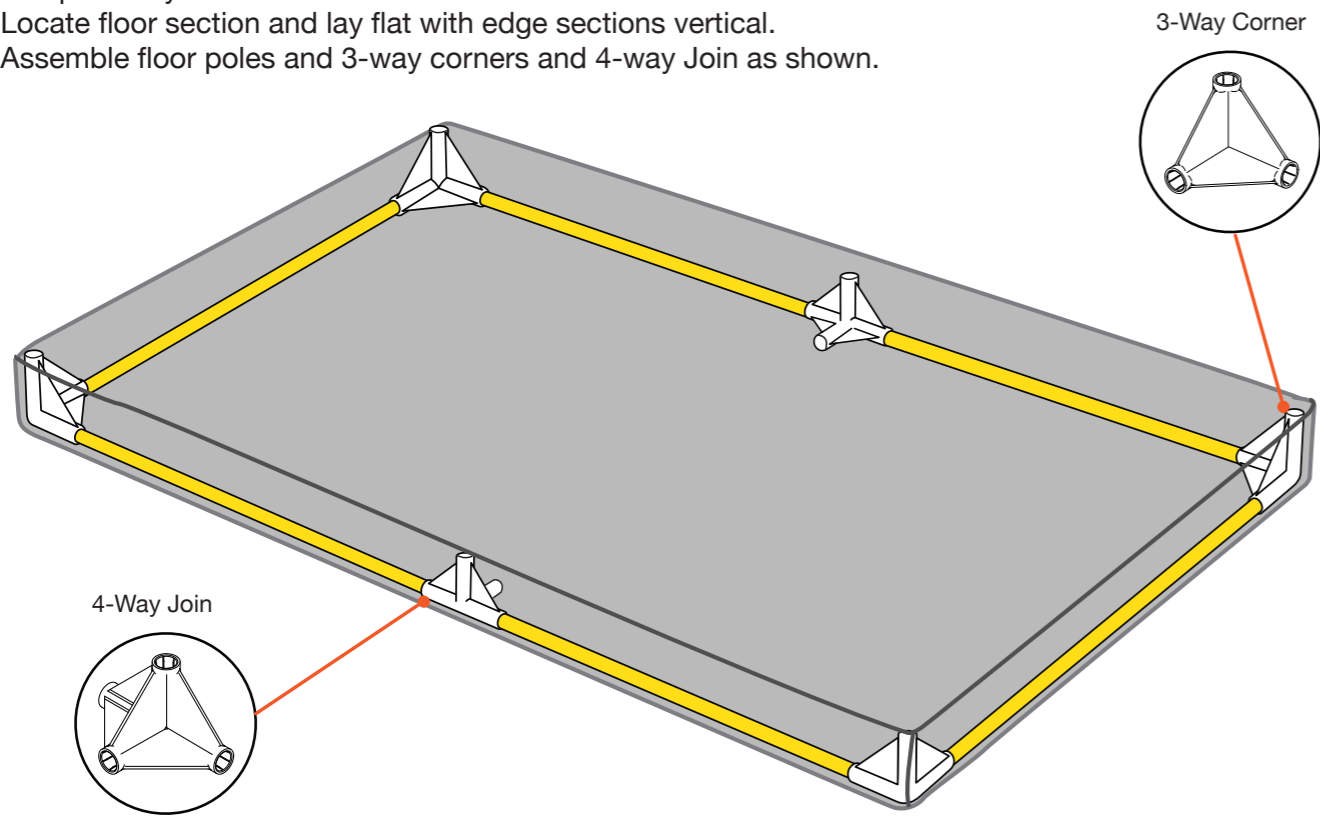


Parts List

- | | | | | | |
|---|---|---|---|---|---|
|  |  |  |  |  |  |
| Yellow Pole x17 | Blue Pole x6 | Black Pole x6 | 3-Way Corner x8 | 4-Way Join x4 | Equipment Hanger Ends x8 |

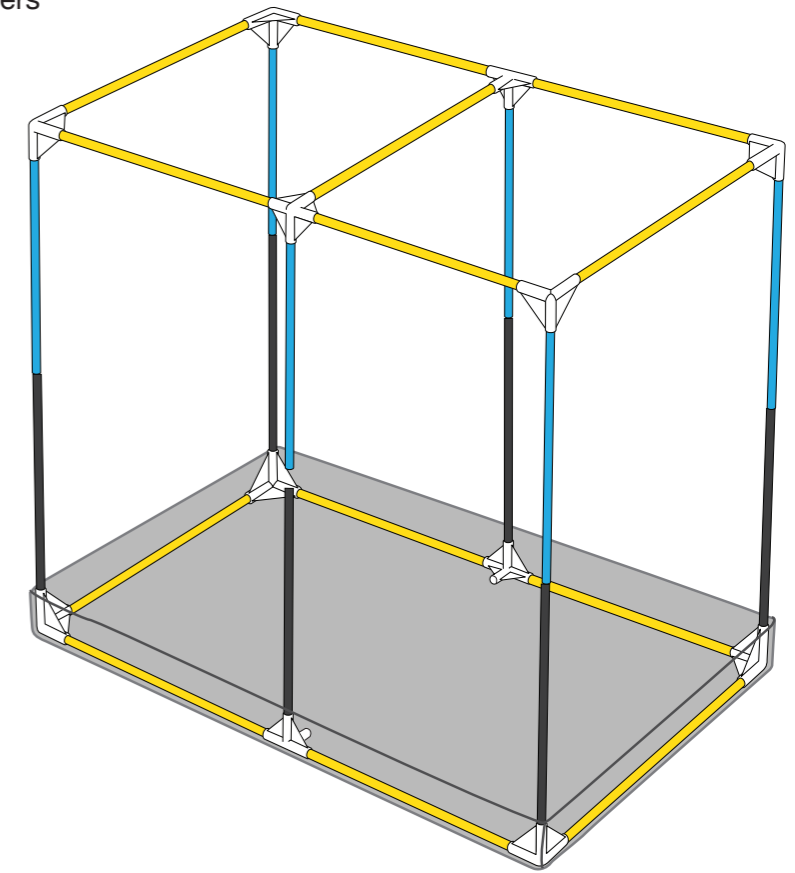
Step 1

Organise poles and connectors into their colours and groups.
Unzip and lay out tent.
Locate floor section and lay flat with edge sections vertical.
Assemble floor poles and 3-way corners and 4-way Join as shown.



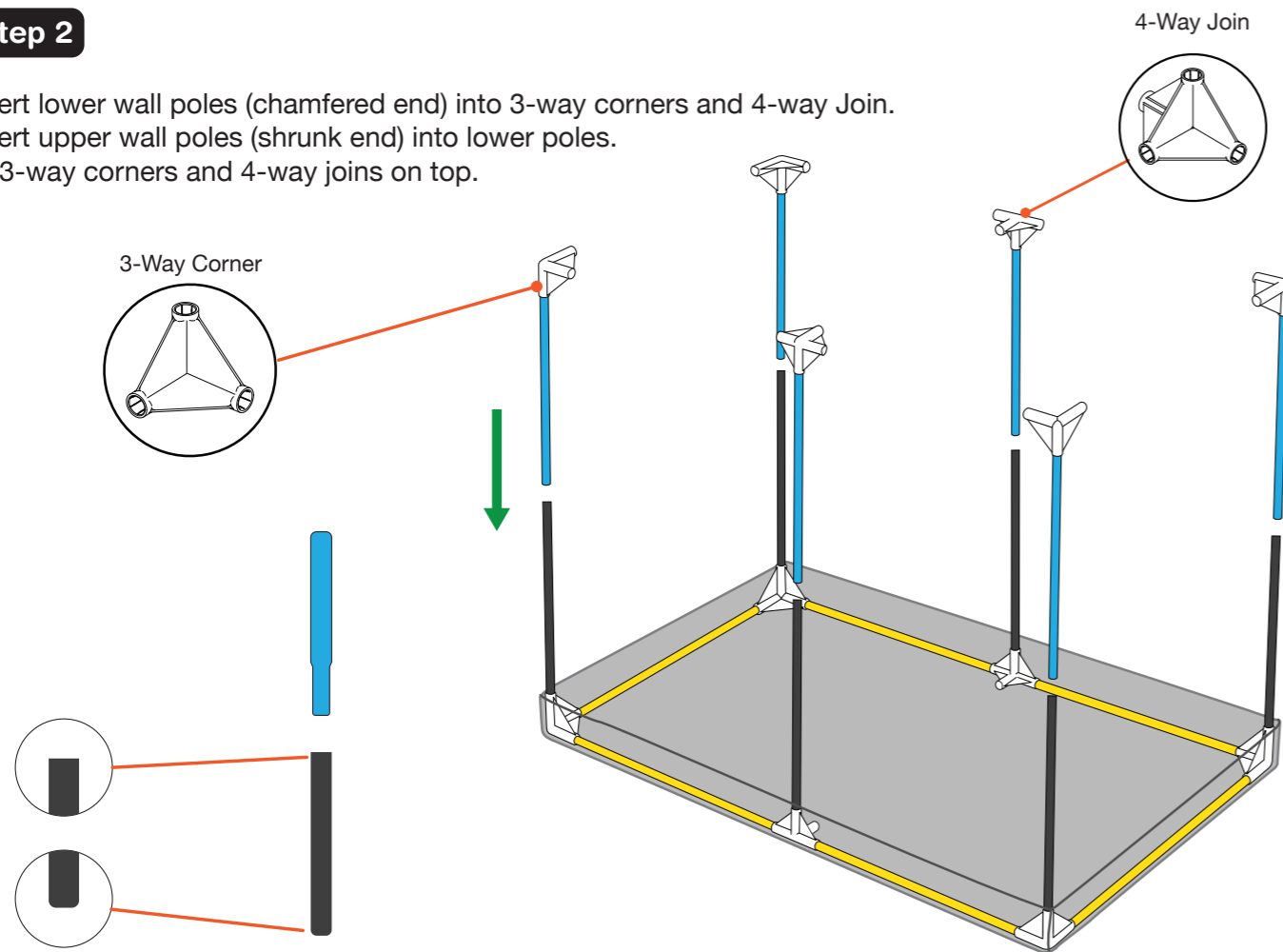
Step 3

Insert ceiling poles into top 3-way corners and 4-Way joins.



Step 2

Insert lower wall poles (chamfered end) into 3-way corners and 4-way Join.
Insert upper wall poles (shrunk end) into lower poles.
Fit 3-way corners and 4-way joins on top.



Step 4

Lift tent over roof as shown.

